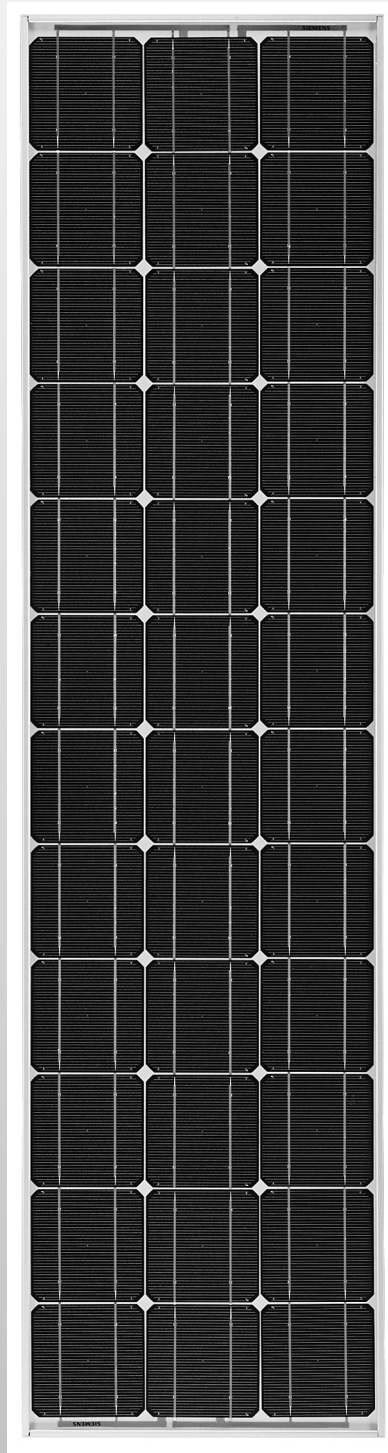


## Solar module SM55



When it comes to reliable and environmentally-friendly generation of electricity from sunlight, solar modules from Siemens provide the perfect solution. Manufactured in compliance with the most stringent quality standards, Siemens Solar modules are designed to withstand the toughest environmental conditions and are characterized by their long service life. Siemens Solar modules are covered by a 25-year limited warranty on power output – your guarantee of trouble-free solar power generation.

### **PowerMax® technology**

Siemens' proprietary PowerMax® technology optimizes the energy production of individual cells and solar modules for all types of environmental conditions. PowerMax® process optimization includes a special refining technique for ingots, a clean room semiconductor grade production process, and a multistage proprietary TOPS™ (Texture Optimized Pyramidal Surface) process. The TOPS process incorporates the formation of textured pyramids on the surface of the solar cell. These pyramids are then specially treated to passivate the surface which optimizes the cell's optical properties for maximum absorption of photons from the sun's light. TOPS also maximizes photon absorption from direct and diffused light (typical under cloudy conditions). This means that light absorption is especially high, even at low light levels. Siemens PowerMax® solar cells deliver maximum energy throughout the day.

### **Solar module**

Model:	<b>SM55</b>
Rated power:	<b>55 Watts</b>
Limited Warranty:	<b>25 Years</b>

### **Certifications and Qualifications**

- UL-Listing 1703
- TÜV safety class II
- JPL Specification No. 5101-161
- IEC 61215
- MIL Standard 810
- CE mark
- FM Certification (SM55-J)

## Intelligent module design

- All cells are electrically matched to assure the greatest power output possible.
- Ultra-clear tempered glass provides excellent light transmission and protects from wind, hail, and impact.
- Torsion and corrosion resistant anodized aluminum module frame ensures dependable performance, even through harsh weather conditions and in marine environments.
- Built-in bypass diodes (12V configuration) help system performance during partial shading.

## High quality

- Every module is subject to final factory review, inspection and testing to assure compliance with electrical, mechanical and visual criteria.
- 36 PowerMax® single-crystalline solar cells deliver excellent performance even in reduced-light or poor weather conditions.
- Cell surfaces are treated with the Texture Optimized Pyramidal Surface (TOPS™) process to generate more energy from available light.
- Fault tolerant multi-redundant contacts on front and back of each cell provide superior reliability.
- Solar cells are laminated between a multi-layered polymer backsheet and layers of ethylene vinyl acetate (EVA) for environmental protection, moisture resistance, and electrical isolation.
- Durable back sheet provides the module underside with protection from scratching, cuts, breakage, and most environmental conditions.
- Laboratory tested and certified for a wide range of operating conditions.
- Ground continuity of less than 1 ohm for all metallic surfaces.
- Manufactured in ISO 9001 certified facilities to exacting Siemens quality standards.

## Easy installation

- Standard ProCharger™-S terminal enclosures are designed for trouble-free field wiring and environmental protection. (Modified versions also available, e.g., as SM55-J with the special ProCharger™-CR junction boxes.)
- Lightweight aluminum frame and pre-drilled mounting holes for easy installation.
- Modules may be wired together in series or parallel to attain required power levels.

## Performance warranty

- 25 Year limited warranty on power output.

Further information on solar products, systems, principles and applications is available in the **Siemens Solar product catalog**.

Siemens modules are recyclable.

Siemens Solar GmbH

A joint venture of  
Siemens AG and Bayernwerk AG

Postfach 46 07 05  
D-80915 München  
Germany

## Solar module SM55

### Electrical parameters

Maximum power rating $P_{max}$ (W <sub>p</sub> ) <sup>1)</sup>	55
Rated current $I_{MPP}$ [A]	3.15
Rated voltage $V_{MPP}$ [V]	17.4
Short circuit current $I_{SC}$ [A]	3.45
Open circuit voltage $V_{OC}$ [V]	21.7

### Thermal parameters

NOCT <sup>2)</sup> [°C]	45 ±2
Temp. coefficient: short-circuit current	1.2mA / °C
Temp. coefficient: open-circuit voltage	-0.77V / °C

### Qualification test parameters<sup>4)</sup>

Temperature cycling range [°C]	-40 to +85
Humidity freeze, Damp heat [%RH]	85
Maximum permitted system voltage [V]	600 (1000 V per ISPR)
Wind Loading PSF [N/m <sup>2</sup> ]	50 [2400]
Maximum distortion <sup>3)</sup> [°]	1.2
Hailstone impact Inches [mm]	1.0 [25]
MPH [m/s]	52 [v=23]
Weight Pounds [kg]	12 [5.5]

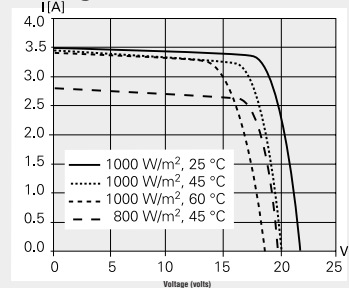
- W<sub>p</sub> (Watt peak) = Peak power (Minimum W<sub>p</sub> = 50 Watts)

Air Mass AM = 1.5  
Irradiance E = 1000 W/m<sup>2</sup>  
Cell temperature T<sub>C</sub> = 25 °C

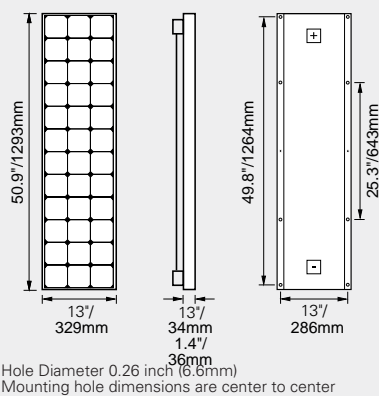
- Normal Operating Cell Temperature at:  
Irradiance E = 800 W/m<sup>2</sup>  
Ambient temperature T<sub>U</sub> = 20 °C  
Wind Speed v<sub>W</sub> = 1 m/s

- Diagonal lifting of module plane
- Per IEC 61215 test requirements

### Voltage-current characteristic



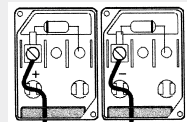
### Module dimensions



### ProCharger™-S Junction-box

Maximum cable diameter: 4mm<sup>2</sup>

Type of protection: IP44



Your address for photovoltaics from Siemens Solar



© Siemens Solar 1998 Status 11/98 - Subject to modification.

Siemens Solar Industries

P.O.Box 6032  
Camarillo, CA 93011, U.S.A.  
Web site: www.siemenssolarpv.com  
E-mail: sunpower@solarpv.com  
Tel: 805-482-6800  
Fax: 805-388-6395

Siemens Showa Solar Pte. Ltd.

166 Kallang Way  
Singapore 349248  
Tel: 65-842-3886  
Fax 65-842-3887

Order No. 019895, Rev. C

